

STA-RITE® PN Series

Corrosion-resistant self-priming shallow well jet pumps



PN Series Shallow Well Jet Pumps are corrosion- and abrasion-resistant and are ideal for wells with pumping levels of 25' or less.

Self-priming after the pump housing is initially filled with water.

Capacities to 18 GPM. Available in 1/2, 3/4 and 1 HP models.

Supplied with the industry standard 30-50 pressure switch setting.

APPLICATIONS

Water Systems
 Booster Pump
 Marine Use
 Mist Sprayers – Poultry
 Fountains and Water Features

SPECIFICATIONS

Body and Seal Plate: Fiberglass-reinforced thermoplastic
Impeller: Engineered polymer
Base: 12-gauge steel
Nozzle, Venturi, Diffuser: Polypropylene

FEATURES

Quality Construction: Fiberglass-reinforced thermoplastic body provides total corrosion resistance and high resistance to abrasion.

Built-in Jet: Shallow-well jet has corrosion-resistant polypropylene nozzle and venturi.

Impeller: Precision-molded for perfect balance...ultra-smooth for highest performance and efficiency.

Precision-Molded Diffuser: Polypropylene diffuser allows pump to prime faster, handle more air.

Heavy-Duty Motor: Stainless steel shaft and dual heavy-duty ball bearings.

Heavy-Duty Ball Bearings: Shielded, permanently lubricated bearings, extensively tested to ensure extended life and smooth, quiet operation.

Dual Voltage Capability: Dual voltage motors are shipped at the 230-volt setting.

Professional Quality, Pre-set 30-50 PSI: Allows for cut-in pressure adjustments.

New Nozzle Cleanout: Easy plug removal and access for ease of service.

New Drain Plug: Bottom-mounted for easy draining and winterization.

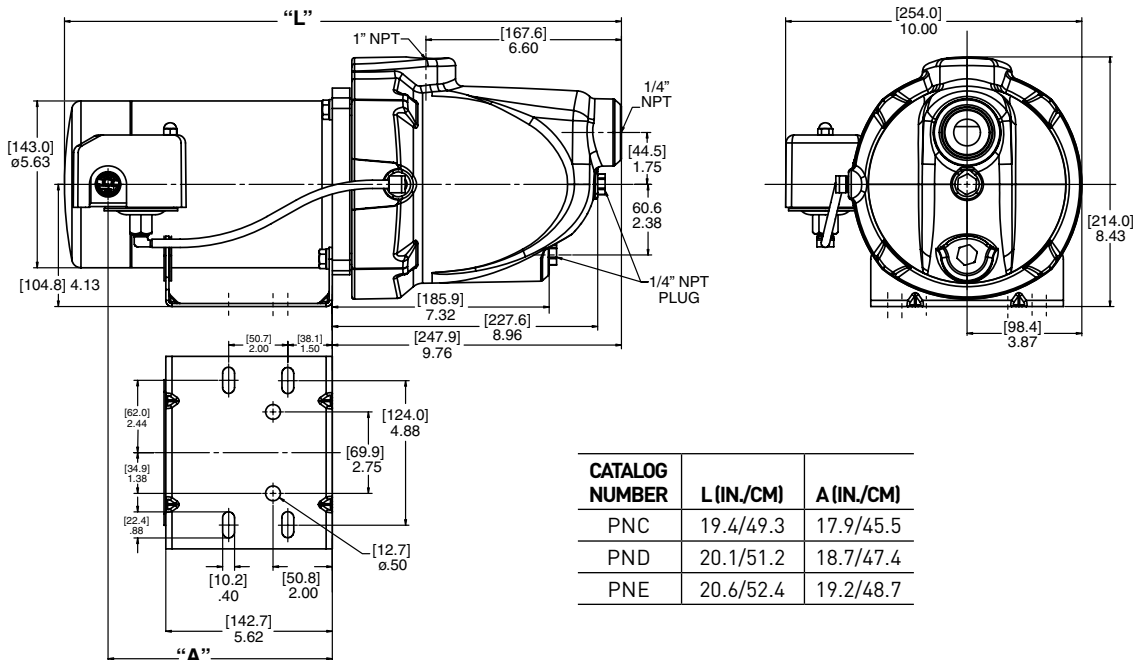
ORDERING INFORMATION

CATALOG NUMBER	HP	DESCRIPTION	PIPE TAPPING SIZES		MOTOR VOLTAGE	APPROX. WT. LBS./KG
			SUCTION	DISCHARGE		
PNC	1/2	Shallow Well Jet	1-1/4"	1"	115/230	21/9.5
PND	3/4	Shallow Well Jet	1-1/4"	1"	115/230	24/11
PNE	1	Shallow Well Jet	1-1/4"	1"	115/230	26/12

STA-RITE® PN Series

Corrosion-resistant self-priming shallow well jet pumps

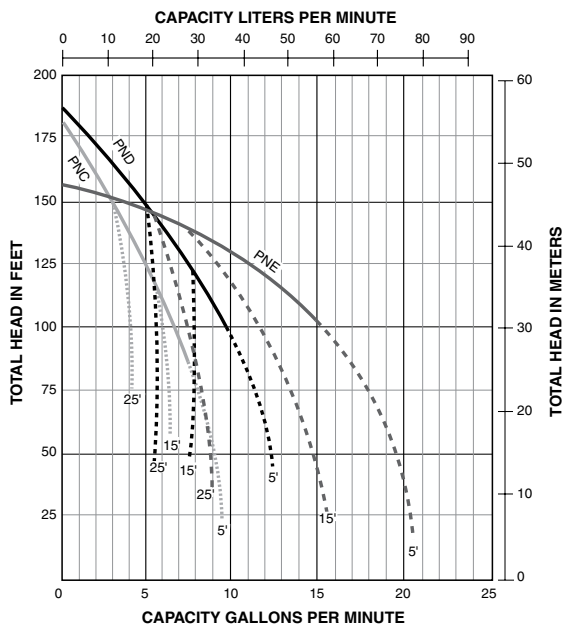
OUTLINE DIMENSIONS



CATALOG NUMBER	L (IN./CM)	A (IN./CM)
PNC	19.4/49.3	17.9/45.5
PND	20.1/51.2	18.7/47.4
PNE	20.6/52.4	19.2/48.7

Dimensions (in inches) are for estimating purposes only.

PUMP PERFORMANCE: 10 GPM



PUMP PERFORMANCE (Capacity in gallons/liters per minute)

CATALOG NUMBER	HP	TOTAL SUCTION LIFT FT./M	DISCHARGE PRESSURE PSI/BAR			SHUT-OFF PSI/BAR
			30/2.1	40/2.8	50/3.5	
PNC	1/2	5/1.5	8.5/32.2	7.4/28.0	5.2/19.7	77/5.30
		10/3.0	7.1/26.9	6.4/24.2	5.1/19.3	
		15/4.6	6.5/24.6	6.1/23.1	4.5/17.0	
		20/6.1	5.4/20.4	5.1/19.3	4.1/15.5	
PND	3/4	5/1.5	12.1/45.8	10.7/40.5	8.5/32.2	78/5.37
		10/3.0	10.7/40.5	10.2/38.6	8.4/31.8	
		15/4.6	9.0/34.1	8.5/32.2	8.1/30.7	
		20/6.1	7.6/28.8	7.3/27.6	7.1/26.9	
PNE	1	5/1.5	18.0/68.1	16.8/63.6	13.5/51.1	67/4.62
		10/3.0	17.1/64.7	16.1/60.9	13.4/50.7	
		15/4.6	14.9/56.4	14.4/54.5	13.0/49.2	
		20/6.1	12.6/47.7	12.2/46.2	12.0/45.4	
		25/7.6	8.8/33.3	8.5/32.2	8.1/30.7	

Pumps will operate at all depths shown, with pressure switch set at 30-50 PSI. Tested and rated in accordance with Water Systems Council Standards.

NOTE: Pumps installed with a Pro-Source® tank require a 100 PSI relief valve. Pumps installed with a conventional tank require a 75 PSI relief valve. Relief valve must be capable of relieving entire flow of pump at relief pressure.

