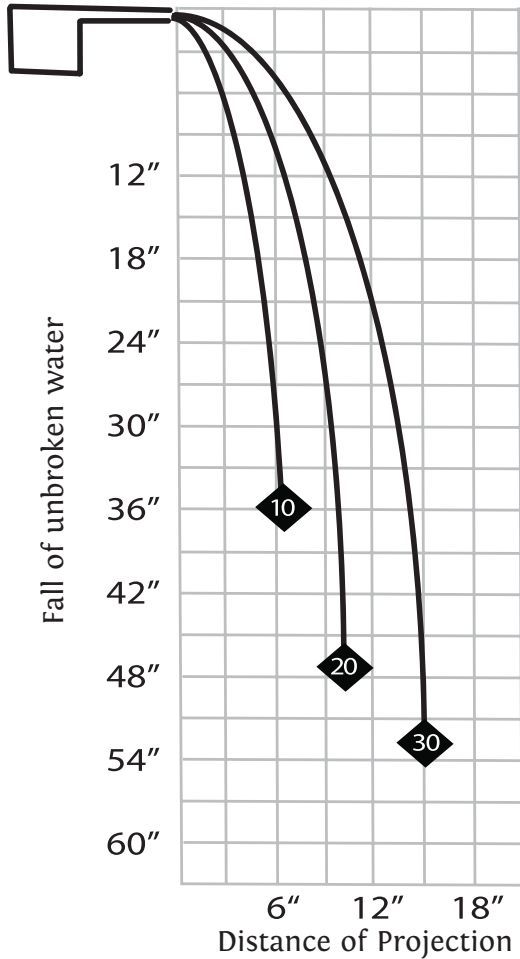


CUSTOM CASCADE FLOW CHARTS

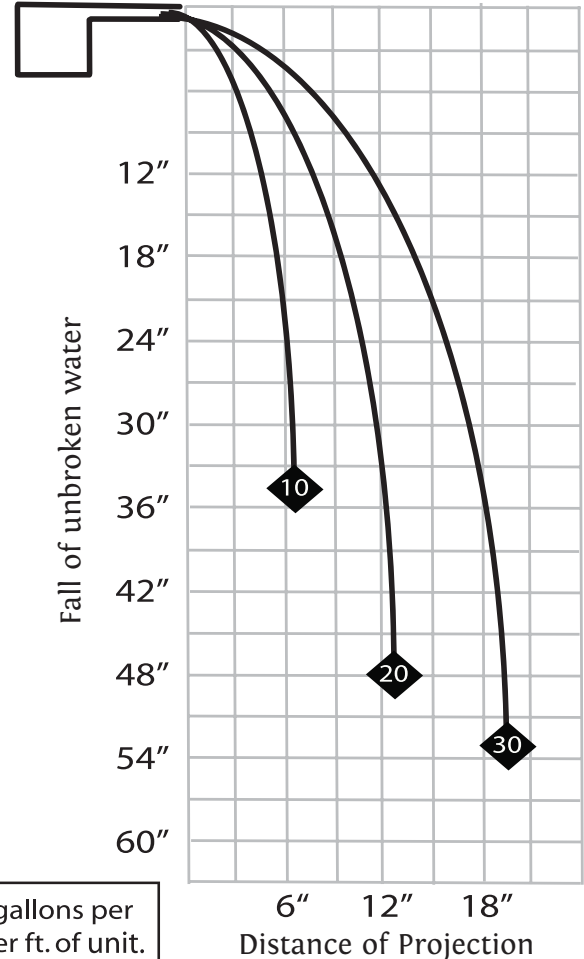
1000, 2000, and 3000 Sheeting WaterFall Series

Recommended gallons per minute: 1000 Series - 10gpm, 2000 Series - 20gpm, 3000 Series - 30gpm.

Metal Series



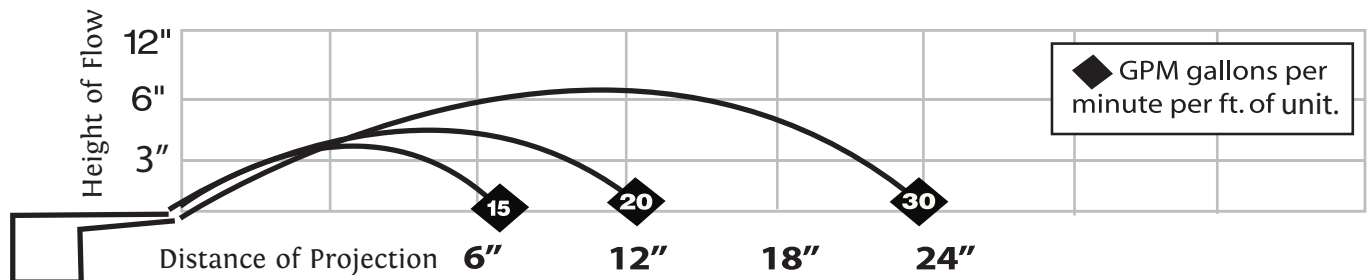
Plastic Series



◆ GPM gallons per minute per ft. of unit.

These flow charts reflect approximate sheeting and projections of water based on gallons per minute (GPM) per foot of waterfall length. Water flow will vary with weather conditions, project design and overall hydraulics.

ArcFall Series

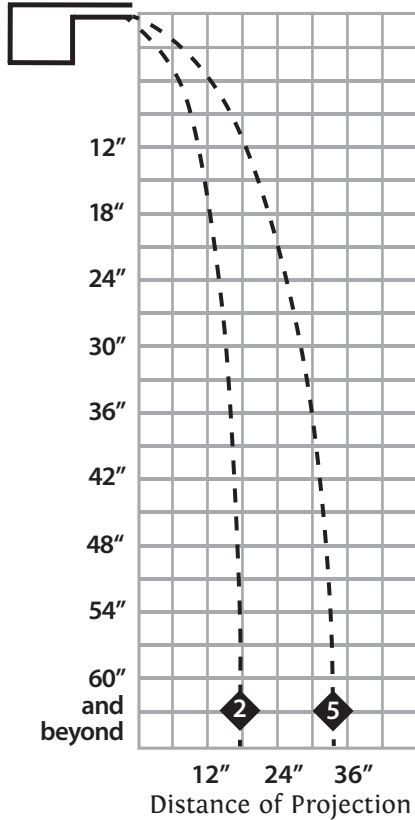


◆ GPM gallons per minute per ft. of unit.

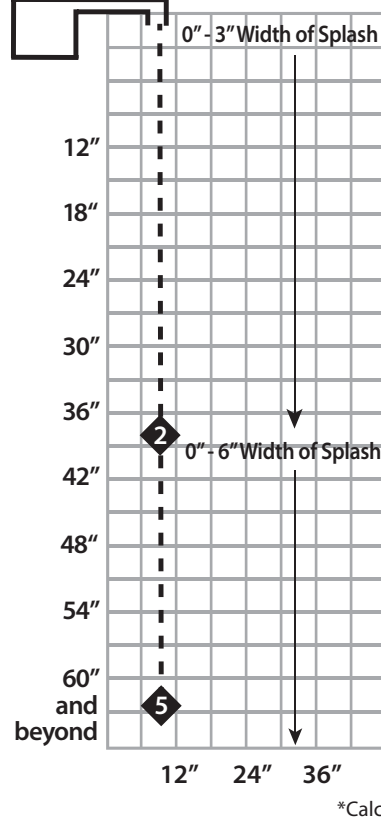
CUSTOM CASCADE FLOW CHARTS

1000, 2000, and 3000 RainFalls or CurtainFalls - Plastic or Metal

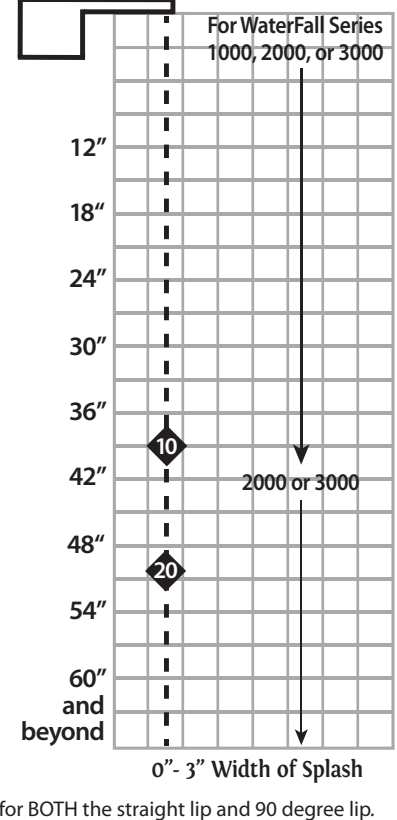
RainFall Series



*RainCurtain Series



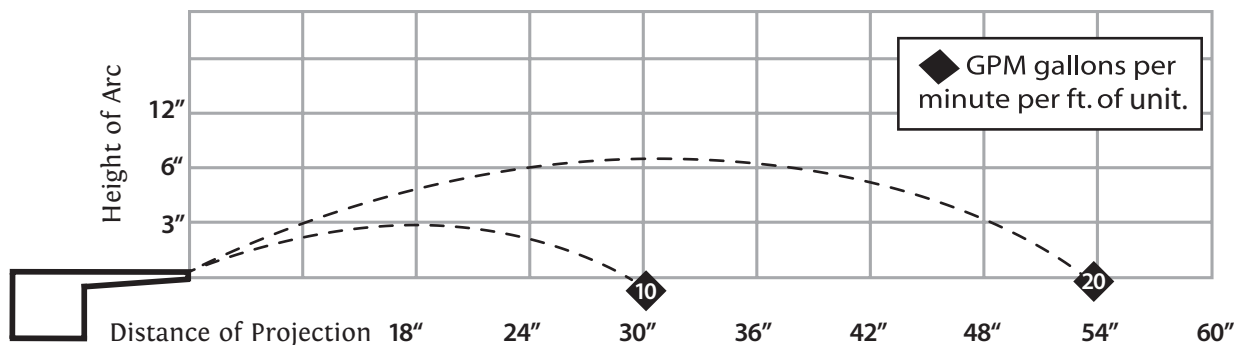
*CurtainFall Series



*Calculations for BOTH the straight lip and 90 degree lip.

These flow charts reflect approximate sheeting and projections of water based on gallons per minute (GPM) per foot of waterfall length. Water flow will vary with weather conditions, project design and overall hydraulics.

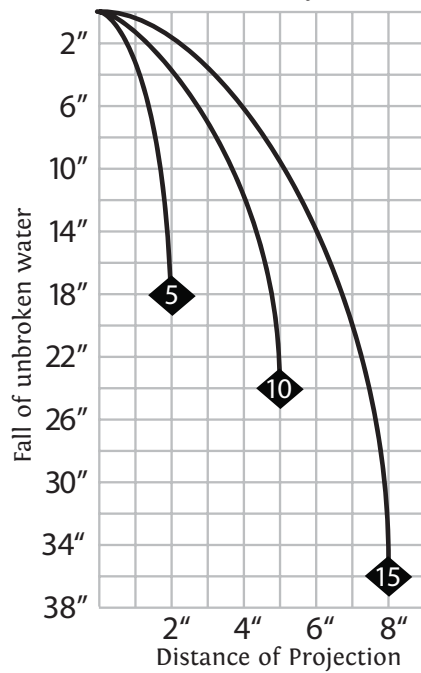
RainArc Series



CUSTOM CASCADE FLOW CHARTS

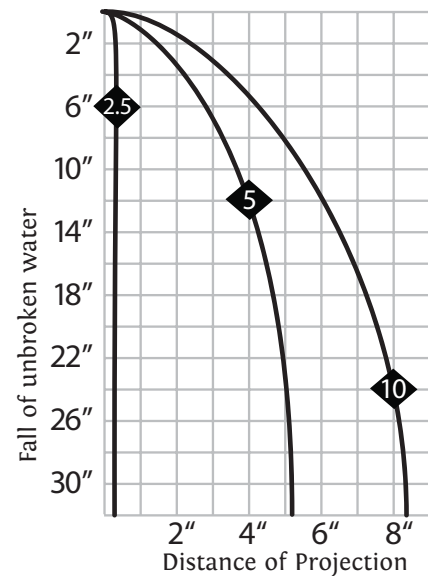
Step Scupper & Standard Scupper

Available Metal Only



3" Channel Spout

Available Metal & ABS

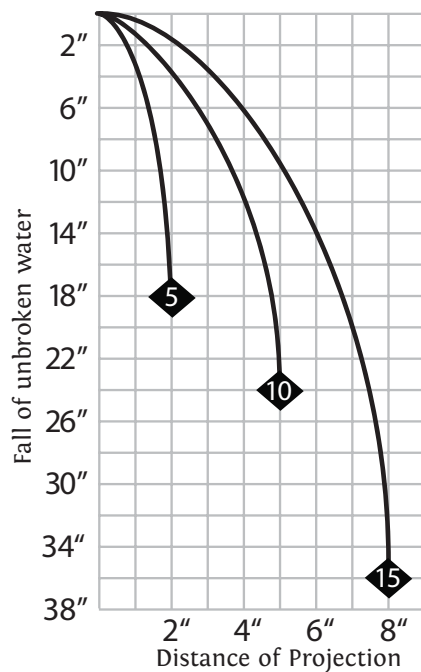


◆ GPM gallons per minute per ft. of unit.

These flow charts reflect approximate sheeting and projections of water based on gallons per minute (GPM) per foot of waterfall length. Water flow will vary with weather conditions, variance of water pressure and overall hydraulics.

Open Top Waterfall

Available Metal Only



12" Spill Edge

Available Metal Only

